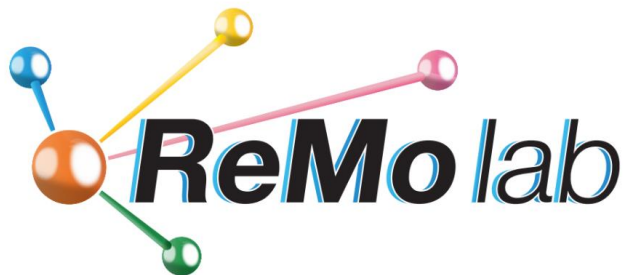


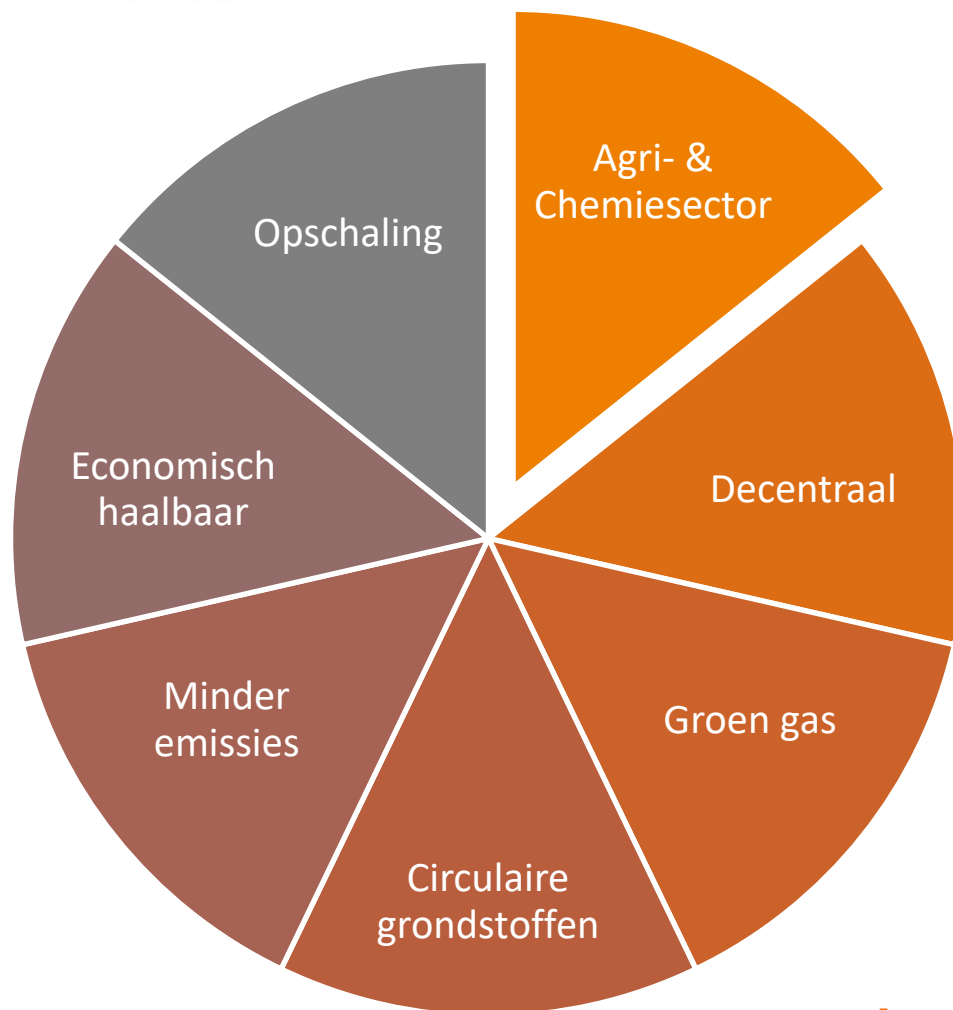
Renewable molecules



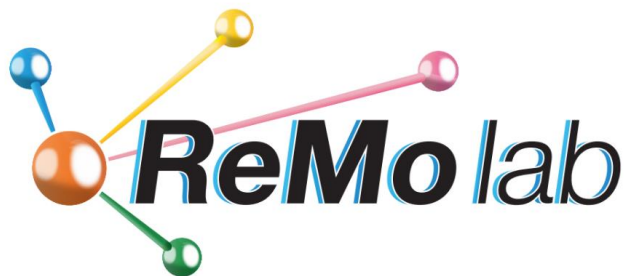
share your talent. move the world.



Renewable molecules



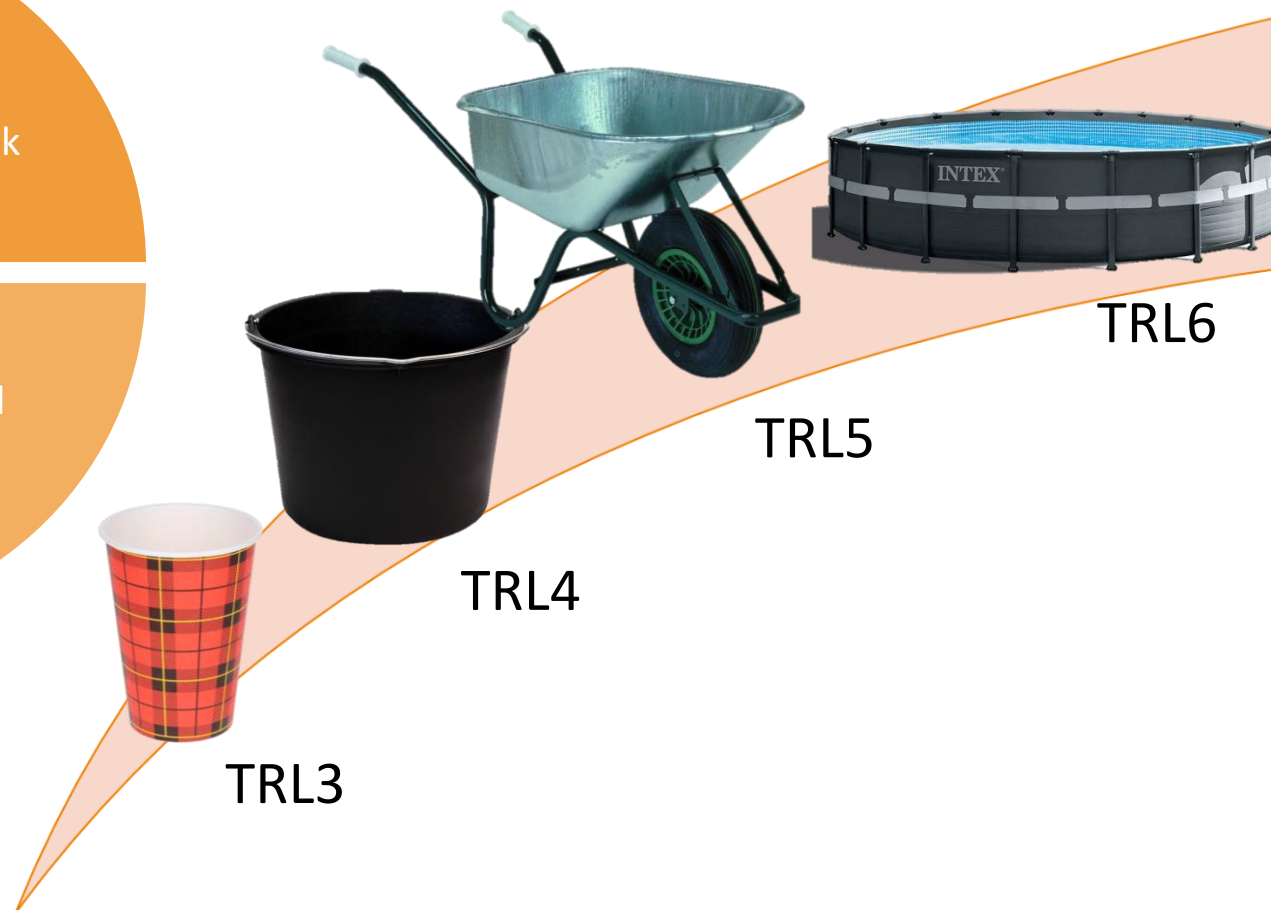
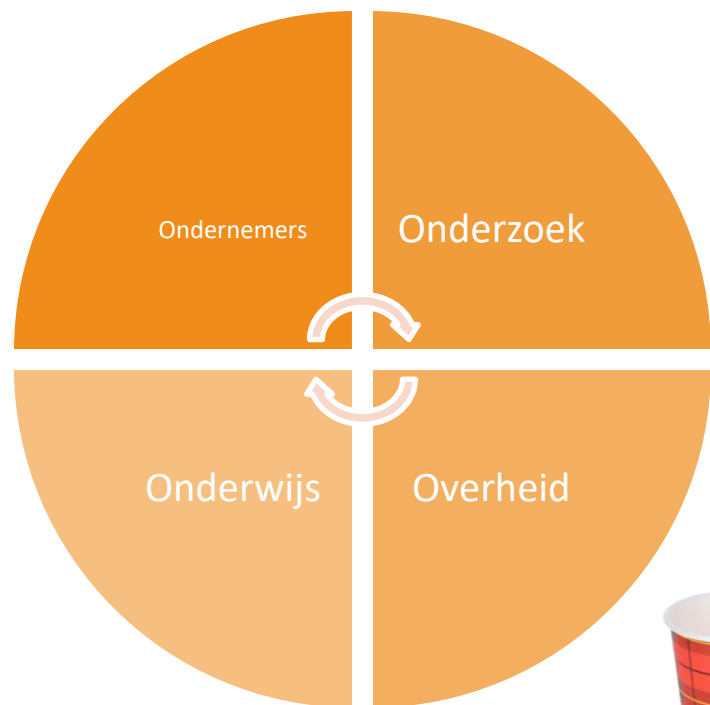
share your talent. **move** the world.



Renewable molecules



Toegepast onderzoek



TRL7

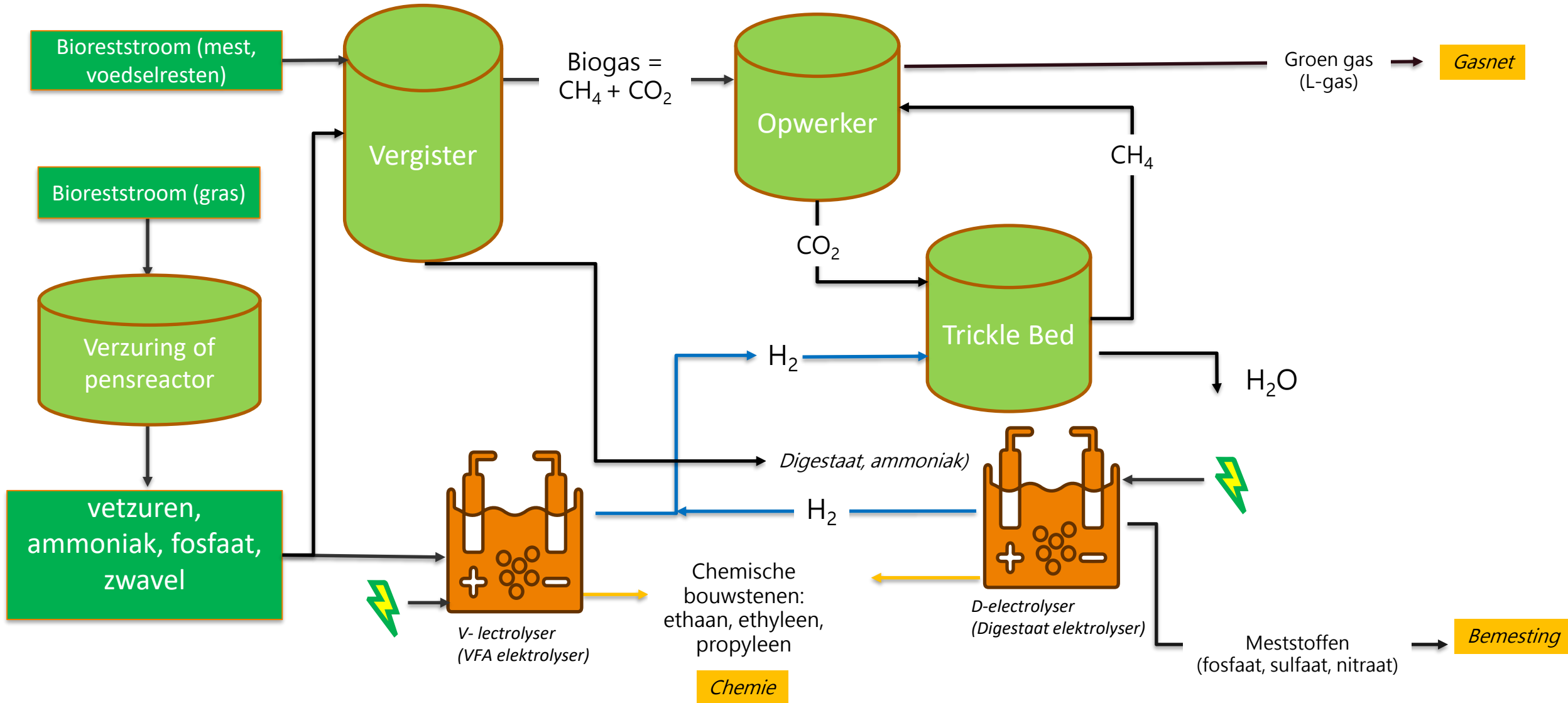
share your talent. move the world.

Entrance Field Lab

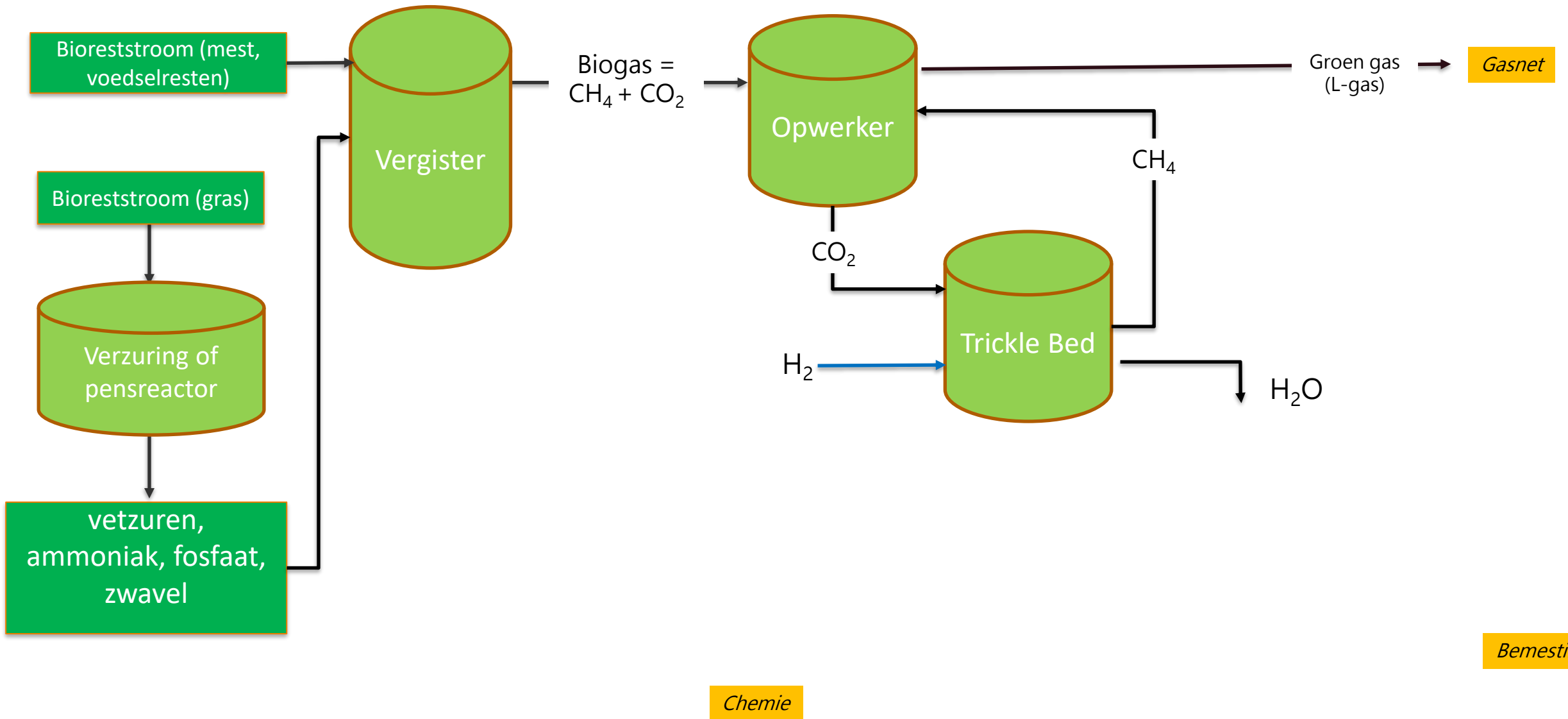


share your talent. **move** the world.

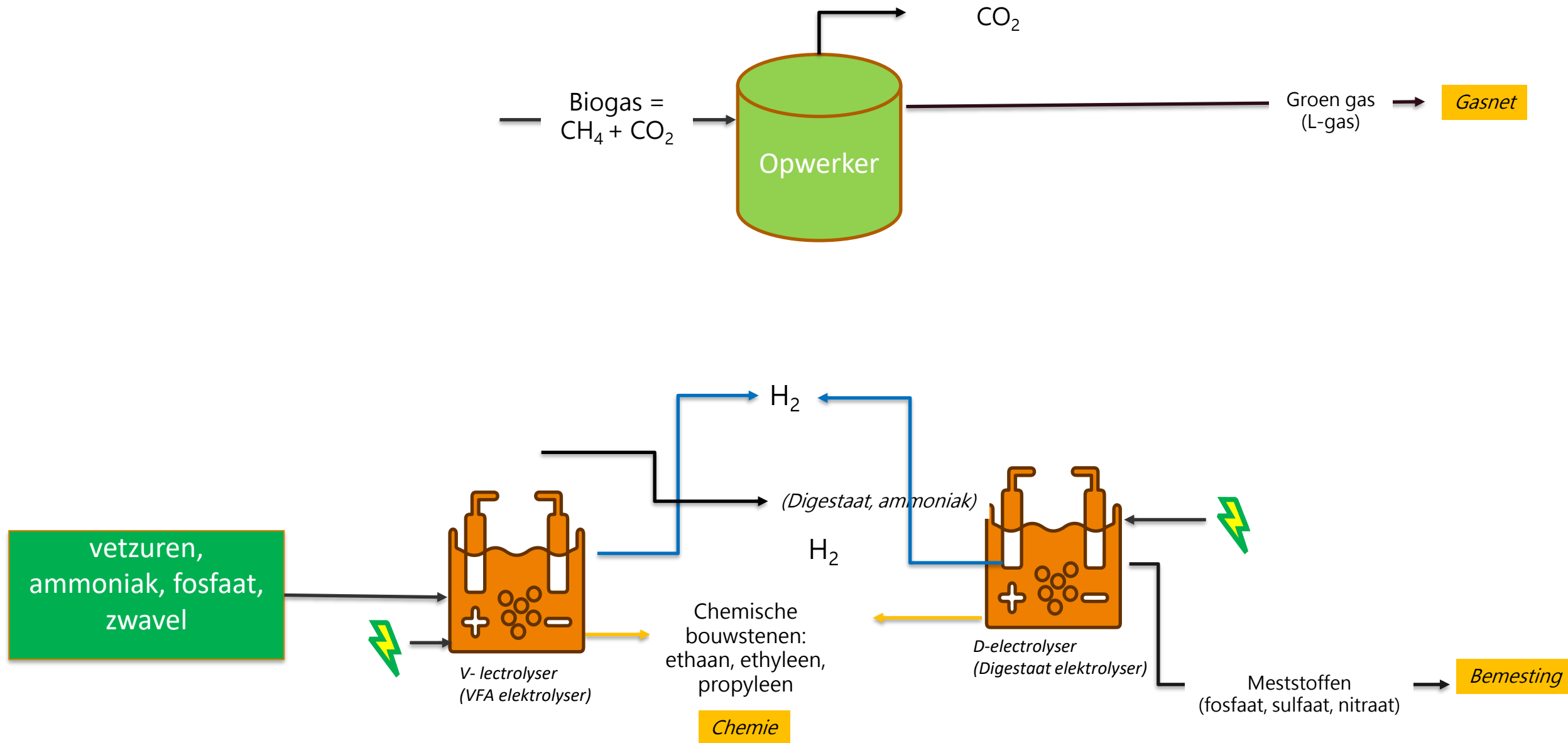
FERMOLYSE (FERMENTATIE + ELECTROLYSE)



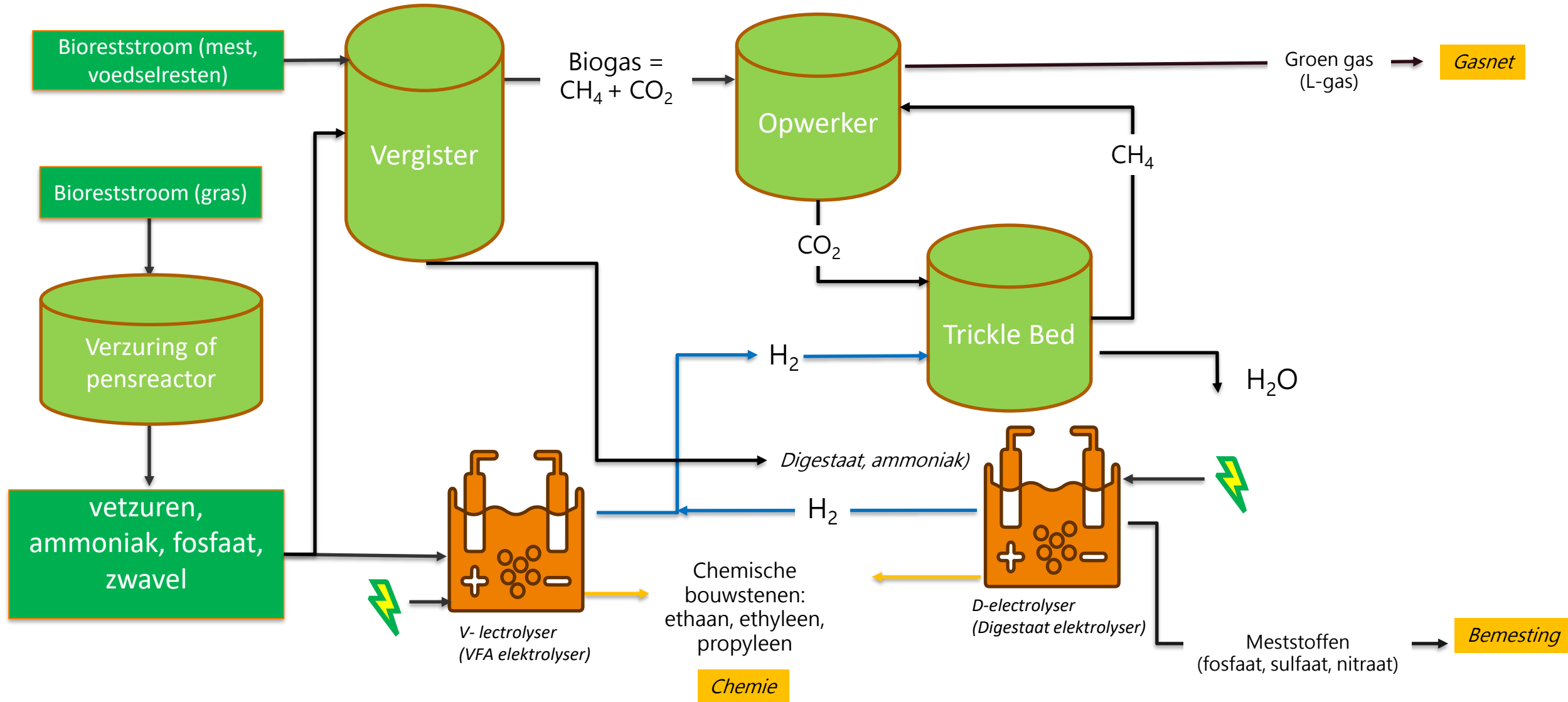
FERMENTATIE



ELECTROLYSE : NIET-WATER



FERMOLYSE (FERMENTATIE + ELECTROLYSE)





Dr.ir. Janneke Krooneman

Lector Bioconversie en Fermentatie technologie

KCBBE- Kenniscentrum Biobased Economy

Hanzehogeschool Groningen

+31 6 46 17 67 58

j.krooneman@pl.hanze.nl

Zernikeplein 11, 9747 AS Groningen



**Kenniscentrum
Biobased Economy**



Dr.ir. Joàn Teerling

Lector Hernieuwbare Gassen en Brandstoffen

ENTRANCE - Centre of Expertise Energy

Hanzehogeschool Groningen

+31 6 46 37 44 78

o.j.teerling@pl.hanze.nl

Zernikelaan 17, 9747 AA Groningen





NEW ENERGY FORUM

20 juni 2024 | Groningen



Breaking Barriers